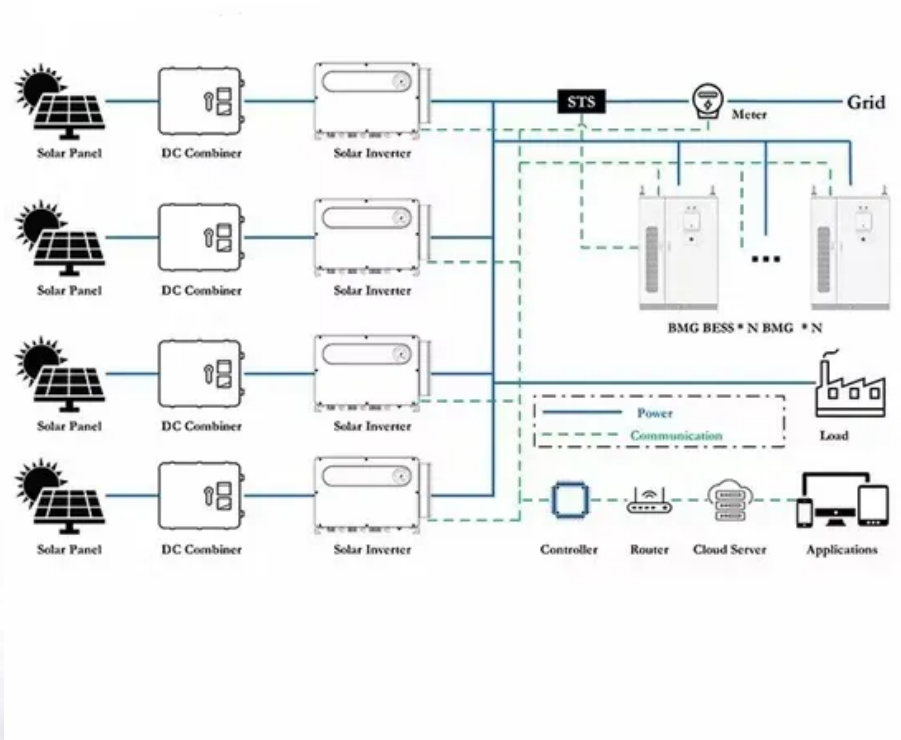


How much does it take to charge a solar energy storage battery every day for the longest life



Overview

The time it takes to charge a solar battery depends on a few factors such as the size of the battery, the power of the solar panel, and the amount of sunlight.

How much does it take to charge a solar energy storage battery even



[How Long Can A Solar Battery Hold A Charge? Insights On Battery](#)

On average, most solar batteries can supply power for about 1 to 3 days, depending on energy consumption and weather conditions. Factors such as battery chemistry, like lithium-ion or

[The Duration for Solar Battery Charging , Solar Uptime](#)

Unlock the efficiency secrets of Solar Battery charging. Explore the factors influencing charging times and how to optimise your solar energy system.



MUCH Definition & Meaning

The meaning of MUCH is great in quantity, amount, extent, or degree. How to use much in a sentence.

[Solar Panel Battery Charge Time Calculator](#)

The Battery Charging Time Calculator is a web-based tool that estimates how long it takes a solar panel to charge a battery completely. Users can enter the size of the solar panel (in



Solar Battery Charge Time Calculator

The Solar Battery Charge Time Calculator determines the time required to fully charge a solar battery based on various input parameters. Its



[How Long Do Solar Batteries Take to Charge for Optimal Energy](#)

Discover how long solar batteries take to charge and why this knowledge is crucial for optimizing your solar energy system. This comprehensive article breaks down various battery types,



What does much mean?

Much is an adjective that refers to a large quantity, amount, or degree of something. It indicates a substantial extent or level of something, generally implying a significant or notable difference or

[Solar Panel Charging Time Calculator, Estimate Battery Charge](#)

Accurately calculate how long your solar panel takes to charge a battery using panel wattage, voltage, capacity (Ah), efficiency, and daily sunlight hours. Fast, reliable solar charging time calculator.



[MUCH definition and meaning, Collins English Dictionary](#)

You use much to indicate the great intensity, extent, or degree of something such as an action, feeling, or change. Much is usually used with 'so', 'too', and 'very', and in negative clauses with this meaning.

[Solar Panel Charge Time Calculator: Accurately](#)

Estimating how much time it will take to fully charge a battery using solar panels is not always simple. There are many different variables that will





[Solar Battery Charge Time Calculator \(12v, 24v, 48v\)](#)

Solar Battery Charge Time Calculator How to Use Our Solar Battery Charge Time Calculator? How to Calculate Solar Panel Charge time? How Fast Should You Charge Your Battery? Why None of The Above Methods Guarantee 100% Accuracy? How Long to Charge 12V Battery with Solar Panel? How Long to Charge 100ah Battery? How Long to Charge 200ah Battery? How Long to Charge 120ah Battery? How Long to Charge 50ah Battery? Note: The estimated charge time of your battery will be given in peak sun hours. For more information on what peak sun hours are and how to calculate them, please refer to our in-depth guide. See more on dotwatts

Searches you might like

cost of battery storage for solar panels recharging battery solar solar battery calculator residential solar battery backup cost The Green Watt

Solar Panel Battery Charge Time Calculator (LFP vs

How long does it take to charge a 12V battery from solar? The honest answer depends on chemistry (LFP vs lead-acid), charge controller (MPPT vs PWM),

MUCH , English meaning

MUCH definition: 1. a large amount or to a large degree: 2. a far larger amount of something than you want or need. Learn more.



[Much Definition & Meaning , YourDictionary](#)

Much definition: Great in quantity, degree, or extent.

Contact Us

For catalog requests, pricing, or partnerships, please visit:
<https://www.european-startups.eu>