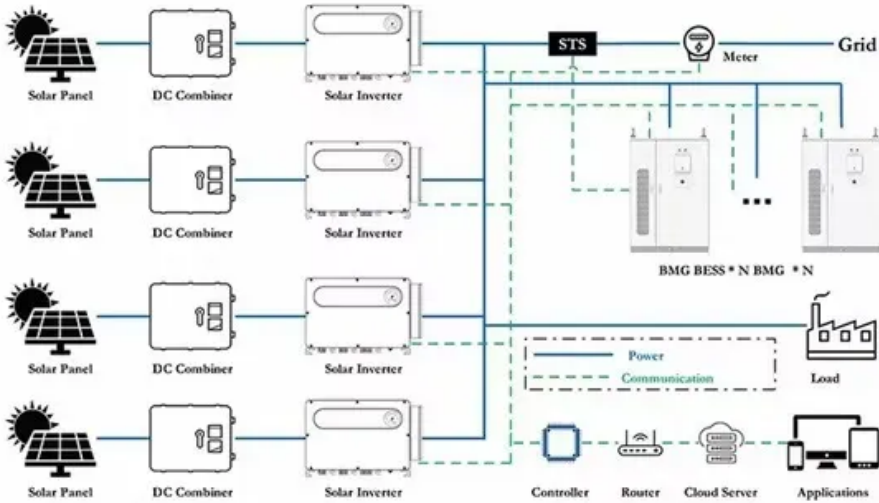


News Photovoltaic panels



Overview

Solar industry news: Mounting, inverter, PV module, tracker and energy storage trends; net metering regulation; financing, buying trends and more. The Hawaii Public Utilities Commission (PUC) has given its stamp of approval for the Kaawanui Solar and energy storage project on.

News Photovoltaic panels



CIDRAP

News brief Today at 3:40 p.m. Stephanie Soucheray, MA Topics Measles An unvaccinated child from Olmsted County, Minnesota, home to Rochester, has a confirmed case of

CIDRAP

News brief Today at 1:57 p.m. Mary Van Beusekom, MS Topics Chronic Wasting Disease The Virginia Department of Wildlife Resources (DWR) has reported the first case of chronic



CIDRAP

News brief Today at 2:12 p.m. Stephanie Soucheray, MA Topics COVID-19 A new study from researchers at the University of South Australia reveals that wearable activity trackers, such as

[Solar Energy News , Today's latest by Renewables Now](#)

Latest solar power news from Europe, Latin America, Sub-Saharan Africa, APAC, MENA and more. Stay updated on solar PV,



CIDRAP

News brief 57 minutes ago. Stephanie Soucheray, MA Topics West Nile The Los Angeles County Department of Public Health late last week confirmed the first West Nile Virus death of

the

[Solar News , Today's Latest Stories , Reuters](#)

Renewable power made up almost 50% of the world's electricity capacity last year after a record increase in solar installations, data from the



Solar industry news, PV buying trends, new projects and expert insight

Solar industry news: Mounting, inverter, PV module, tracker and energy storage trends; net metering regulation; financing, buying trends and more.

Forums

vBulletin Forums There are currently 15114 users online. 4 members and 15110 guests. Most users ever online was 139,917 at 11:14 PM on January 30, 2025. Pathfinder , tetano , sharon sanders , yielddude



CIDRAP

News brief 45 minutes ago. Stephanie Soucheray, MA Topics Avian Influenza (Bird Flu) Minnesota has reported its first H5N1 detection in poultry since April, which involves a commercial

[Solar Power: Trending News, Latest Updates, Analysis](#)

See the latest on Solar Power. From breaking news to in-depth reporting, Bloomberg tracks the full story in real time.





CIDRAP

News brief 53 minutes ago. Lisa Schnirring Topics Misc Emerging Topics The Pan American Health Organization (PAHO) recently issued an epidemiological alert for rising Oropouche

[Top and Latest Solar Energy News and Breaking Stories](#)

We are here to bring you the latest solar news, progress and innovations, and everything else that you need to and want to know about the solar industry.



PV Tech

The number one source for in-depth and up-to-the-minute news, technical articles, blogs and reviews on the international solar PV supply chain.

Avian flu H5N1 discussion

Avian flu H5N1 discussion - news/case lists links - 2022+ October 16, 2022, 11:40 AM Tom Peacock @PeacockFlu Thread of avian influenza virus (AIV). First off a PSA - DO NOT touch, handle or



Solar Energy News -

Solar Energy Information. Read the latest news and techniques for efficient solar photovoltaic power, new solar energy systems and more.

All News - pv magazine International

Latest news on the solar energy and photovoltaics industry in the USA: installations, manufacturing, markets & policy, and technology.



News - pv magazine USA

Latest news on the solar energy and photovoltaics industry in the USA: installations, manufacturing, markets & policy, and technology.

[Your source for solar energy news and insights](#)

Publishing solar energy breaking news, research and analysis-updates on emerging markets and sustainable energy trends around



Contact Us

For catalog requests, pricing, or partnerships, please visit:
<https://www.european-startups.eu>