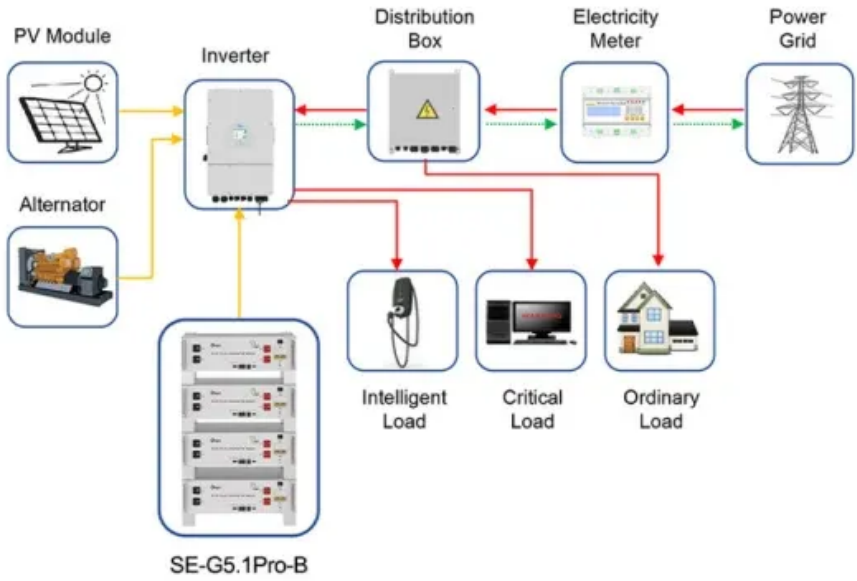


Pricing of foldable containerized systems used in Southeast Asian airports



Application scenarios of energy storage battery products



Overview

In this paper, we analyse the opportunities for commercial application of foldable containers.

Pricing of foldable containerized systems used in Southeast Asian a



[\(PDF\) Economic benefits of deploying foldable](#)

We use the model to minimize total transportation costs, inventory holding, handling, folding and unfolding, container leasing, and installing

Pricing strategy

Find new ideas and classic advice for global leaders from the world's best business and management experts.



[Cost of 10kW Foldable Containers for Southeast Asian Airports](#)

The specific shipping lines and carriers that operate on this route can vary, but well-known international shipping companies like Maersk, COSCO, MSC, and others often provide container services

[How to Think About Pricing in the Tariff Era](#)

With the looming specters of inflation and tariffs, pricing is especially tricky these days. However according to Rafi Mohammed, a pricing expert, companies aren't particularly good at setting



It's Time to Try Bundled Pricing

During an era of high inflation, many companies raise prices repeatedly, which risks alienating customers. Bundled pricing can be a powerful alternative strategy. Consider Chili's "3 For Me

How to Build a Better Pricing Strategy

Key topics include: pricing strategy, dynamic pricing, market research, supply and demand, innovation, media, entertainment, professional sports, and the travel and tourism industry.



[Effects of Foldable Containers in Various Circumstances in Maritime](#)

In this study, we examine three key situations: shutdowns, demand fluctuations, and fleet size fluctuations. Furthermore, we developed an integer programming model to analyze through

[Pricing of foldable containers used in Southeast Asian ports](#)

Aug 23, 2017 . The costs and benefits of using foldable containers in these logistic concepts are calculated and compared with the situation in which standard containers are used.



Expand Your Pricing Paradigm

With inflation high, a global recession possible, and consumers spending carefully, many companies are concerned about preserving profit margins. In this article, pricing consultant Rafi Mohammed

[Rethink Your Pricing Strategies Amid Economic Uncertainty](#)

Pricing expert Rafi Mohammed warns against hasty changes to keep customers.





A Quick Guide to Value-Based Pricing

In my 15-plus years of working with companies & teaching courses on pricing strategies to MBA students, I have found value-based pricing (also known as "value pricing") to be the most

The Good-Better-Best Approach to Pricing

Companies often crimp profits by using discounts to attract price-sensitive customers and by failing to give high-end customers reasons to spend more. A multitiered offering can use a stripped



[Pricing for foldable containerized systems used in Southeast](#)

Foldable solar container systems are emerging as a breakthrough solution--combining renewable energy, rapid deployment, and modular design into one efficient unit.

[Southeast Asia Energy Storage Container, HALKIDIKI BESS](#)

How much does a waterproof mobile energy storage container cost for Southeast Asian airports Price ranges typically span from \$10,000 to over \$100,000, depending on the size and capacity of the unit.



[Dynamic Pricing Is Changing the Parcel Shipping Industry](#)

Parcel shipping is rapidly shifting from predictable, static pricing to dynamic rates that fluctuate with demand, capacity, and customer characteristics. This shift, led by UPS and FedEx,

[Compact Container Systems , Cost-Saving Collapsible](#)

SeaFold containers effectively reduce empty container repositioning, leading to optimized storage at rail and truck terminals. This efficiency translates to fewer



[A Step-by-Step Guide to Real-Time Pricing](#)

In today's fast-paced world of digital retailing, the ability to revise prices swiftly and on a large scale has emerged as a decisive differentiator for companies. Many retailers now track

[Foldable Containers to Reduce the Costs of Empty Transport](#)

In this paper, we analyse the opportunities for commercial application of foldable containers. For this purpose a cost-benefit analysis is adopted in which four logistic concepts to use foldable containers



Contact Us

For catalog requests, pricing, or partnerships, please visit:
<https://www.european-startups.eu>